

## Four<sup>®</sup> Real 741 Flake

*Design: Four Design*



Four<sup>®</sup> Real 741 Flake is a range of multifunctional folding tables with integrated castors for easy handling by one person. The tables are designed to be combined across variations of shapes and sizes and optional extras can be added to solve specific needs in the versatile canteen or open space layout.

Choose between various colours and optional extras to make it agile solution in the canteen environment or open space layout.

# Four<sup>®</sup> Real 741 Flake

*Design: Four Design*

## **Materials:**

Table tops:

Chip board with Decor laminate and ABS-edge. Thickness: 19 mm.

Chip board with high-pressure laminate or Fenix-Nano laminate and ABS edge. Thickness 21 mm.

MDF board with linoleum and linoleum edges.  
Thickness 23 mm.

Frame:

Legs:  $\varnothing 35 \times 2.5$  mm., S235 steel, EN 10305-3 F300C

Rail: Aluminium EN AW-6063 T, Chrome (III)

Folding mechanism: Domex 240 – FE 360 D2 steel

2 integrated castors PUR/PA6

Rubber cushions: EPDM Gummi

Spacer blocks: LDPE

Cable duct: Aluminium

## **Dimensions:**

---

Table height: 740 mm. Folded: H 150 mm.

Special sizes and heights can be delivered on request.

---

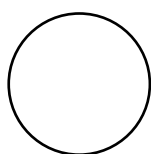
Elipse: 1000 x 2000 mm

Half Elipse: 1600 x 1000 mm

Diamond: 1288 x 1402 mm

# Four<sup>®</sup> Real 741 Flake

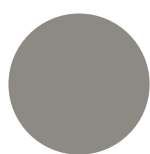
Design: Four Design



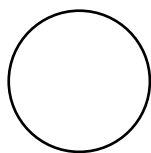
DECOR



DECOR



DECOR



LAMINATE



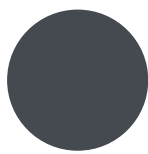
LAMINATE



LAMINATE



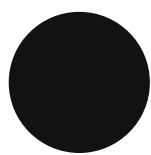
FENIX  
NANO-LAMINATE



FENIX  
NANO-LAMINATE



FENIX  
NANO-LAMINATE



LINOLEUM

## Models:

**Table tops:** Decor / High pressure laminate / Nano laminate / Linoleum

**Frame:** Slanted legs

**Frame surface:** Chrome (III) / Mat white (RAL9010) / Mat black (RAL 9005) / Mat Grey (RAL7039)

## Accessories:

- Trolley, 10 tables stacked vertically
- Room In Room
- Cable duct
- Linking device

# Four<sup>®</sup> Real 741 Flake

Design: Four Design



## Room In Room:

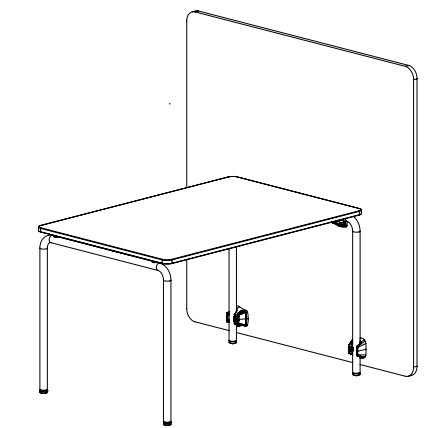
Materials: Room in Room: 19 mm. chipboard with white Decor and matching ABS edges.

Other colors and surfaces available on request.

Acoustic panel: Chipboard upholstered with foam and textile.

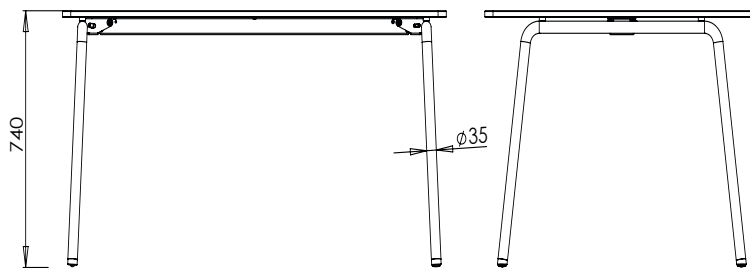
Dimensions: Room in Room: 138 x 138 cm.

Acoustic panel: 133 x 65 cm.

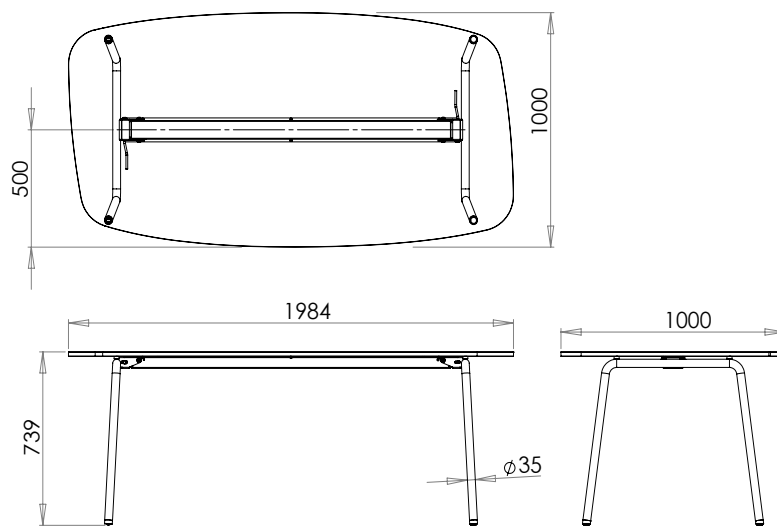


# Four<sup>®</sup> Real 741 Flake

Design: Four Design



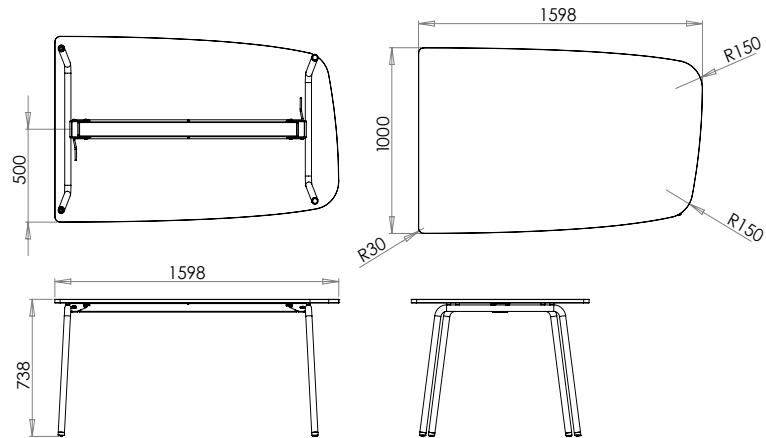
Four Real 741 Flake



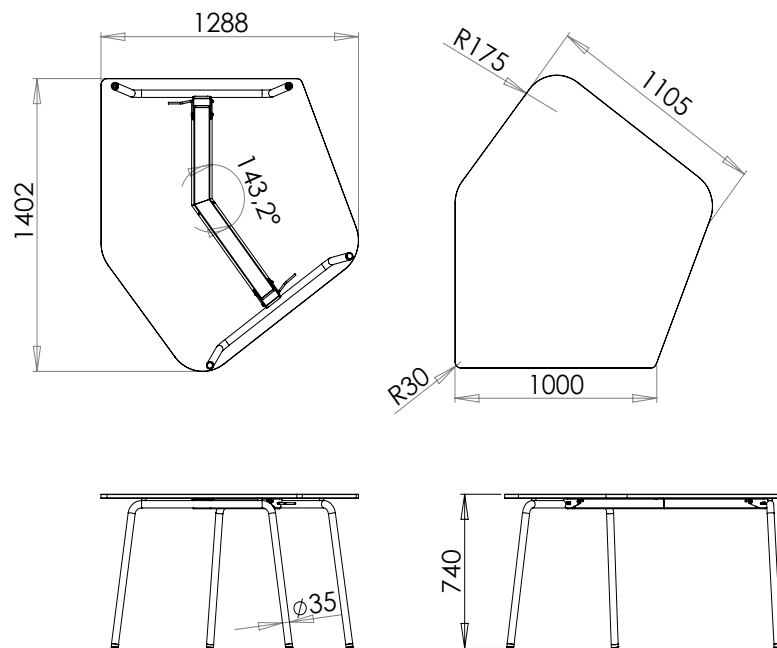
Four Real 741 Flake Elipse

# Four<sup>®</sup> Real 741 Flake

Design: Four Design



Four Real 741 Flake Half Elipse



Four Real 741 Flake Diamond

# Four<sup>®</sup> Real Flake

*Design: Strand & Hvass | Concept: Four Design*

## **ISO14001:**

We are aware of our environmental responsibilities. We strive towards a minimal burden in the internal and external environment. The internal environment is evaluated through a careful examination of components and materials used in the production manufacturing processes. The external environment is monitored through laws and regulations.

It is important to Four Design that our suppliers abide to the environmental laws regarding production and handling of waste materials. It is our goal to always use environmentally friendly raw materials. Four Design A/S can document our commitment to the environment.

We have been awarded the Miljøforum Fyn's Environment Diploma and obtained the ISO14001 certificate in 2011.

## **Recycling:**

General: Tables must be separated into parts (table tops and metal parts).

Metal parts: All metal parts on Four Design tables can be disposed of and recycled by an approved environment and raw materials organization. Lacquered frames are treated with a paint classified as not dangerous according to directive 1999/45/EF.

Table tops on Four Design tables cannot be reused, and must be disposed of in the incinerator.

## **Maintenance:**

We kindly refer to our Maintenance Guide:  
[http://www.fourdesign.dk/pdf/FourDesign\\_Cleaning.pdf](http://www.fourdesign.dk/pdf/FourDesign_Cleaning.pdf)

## **Warranty:**

Four Design provides an extended warranty of 5 years on all products in our official price list.

The warranty covers breakage of frames and damage occurred because of deficient craftsmanship performance under normal use.

The warranty shall lapse if the product shows signs of mishandling abuse or other physical damage. The warranty does not cover those parts of the product which are exposed to abrasion during use.

## **Tests:**

PolysHELLS: ZEK / 01.2-08, Testing and Validation of Polycyclic Aromatic Hydro-carbons (PAH).  
All products from Four Design are PVC-free.

Four<sup>®</sup>Real 741 Flake  
• EN 15372 L3

Surfaces, table tops (Decor, laminate, painted):

- DS/INF. 132, 2002
- DS/EN 12720, 2009
- DS/EN 12722, 2009
- SIS 839117
- SS 83 91 22, 1981

High pressure laminate:

- DIN EN 120 (1992), E1-quality (Formaldehyde emission).